

Multi-Stage DRY Vacuum Pumps

MDP SERIES 96~720 m³/h



DESIGN FEATURE

- High vacuum performance capable to use them as a replacement product of oil sealed vacuum pumps.
- It is environmentally friendly product with no pollution due to oil.
- It has three lobe type rotor enables stable performance, low vibration and noise.
- Lowers the maintenance cost.
- Lowers the waste disposal cost.

APPLICATIONS

- Semi-conductor industry, vacuum metallurgy, vacuum drying, vacuum distillation, vacuum impregnation, vacuum packaging, vacuum coating, etc.



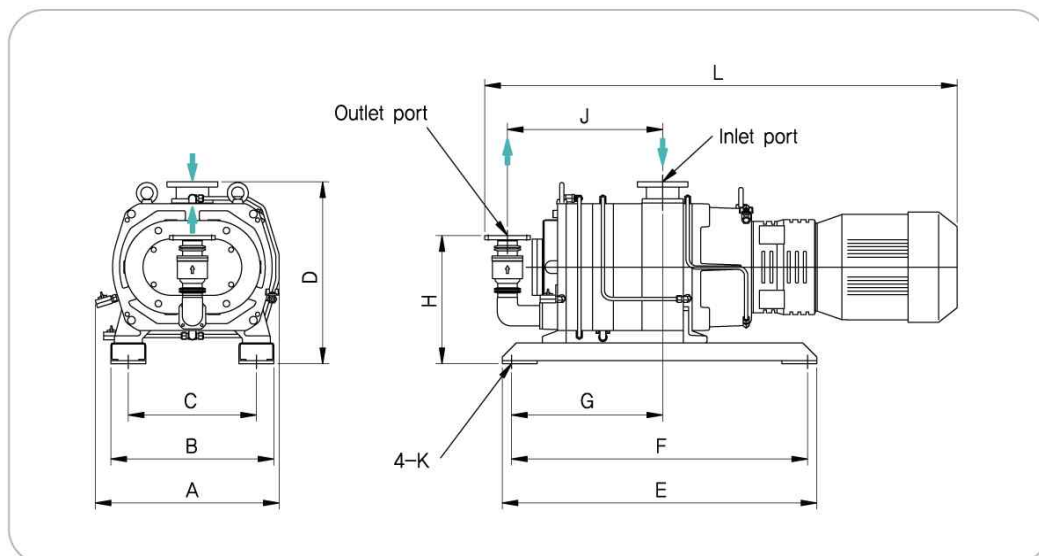
WOOSUNG VACUUM CO LTD

Multi-Stage DRY Vacuum Pumps

TECHNICAL DATA

DESCRIPTION		UNIT	MDP 96	MDP 144	MDP 324	MDP 480	MDP 720
Displacement Speed	50Hz	m ³ /h	80	120	270	400	600
	60Hz		96	144	324	480	720
Ultimate Pressure		Torr	3x10 ⁻³				
Inlet Port			NW40	ISO 63	ISO 63	ISO 80	ISO 100
Outlet Port			NW40	NW40	NW50	ISO 63	ISO 100
Motor Power		kW	2,2	4,0	7,5	11	18,5
Gear casing Oil capacity		Liter	2		3		3,5
Cooling water(less than 20°C)		L/min	4		5		6
Weight		kg	250	320	430	496	680

OUTSIDE DIMENSION



(UNIT : mm)

MODEL	A	B	C	D	E	F	G	H	J	K	L
MDP324	526	470	370	517	820	740	374	310	402	∅15	1225
MDP480	526	470	370	517	900	820	419	348	447	∅15	1432
MDP720	526	470	370	517	1000	920	517	348	545	∅15	1555



(주)우성진공
WOSUNG VACUUM CO LTD

Representative Office:

Kinetic Engineering Co., Ltd.

2, Soi Pracha-U-Thit 56, Pracha-U-Thit Rd.,
Tungkru, Tungkru, Bangkok 10140 Thailand

Tel: +662 873 5550 (Auto) Fax: +662 873 5552

E-mail: sales@kinetic.co.th www.kinetic.co.th